

7-285SL Hinge Pr04 SNAP-LINE 180°

Tool-less installation, Surface mounted door, Stainless Steel, IP65, Lift-off

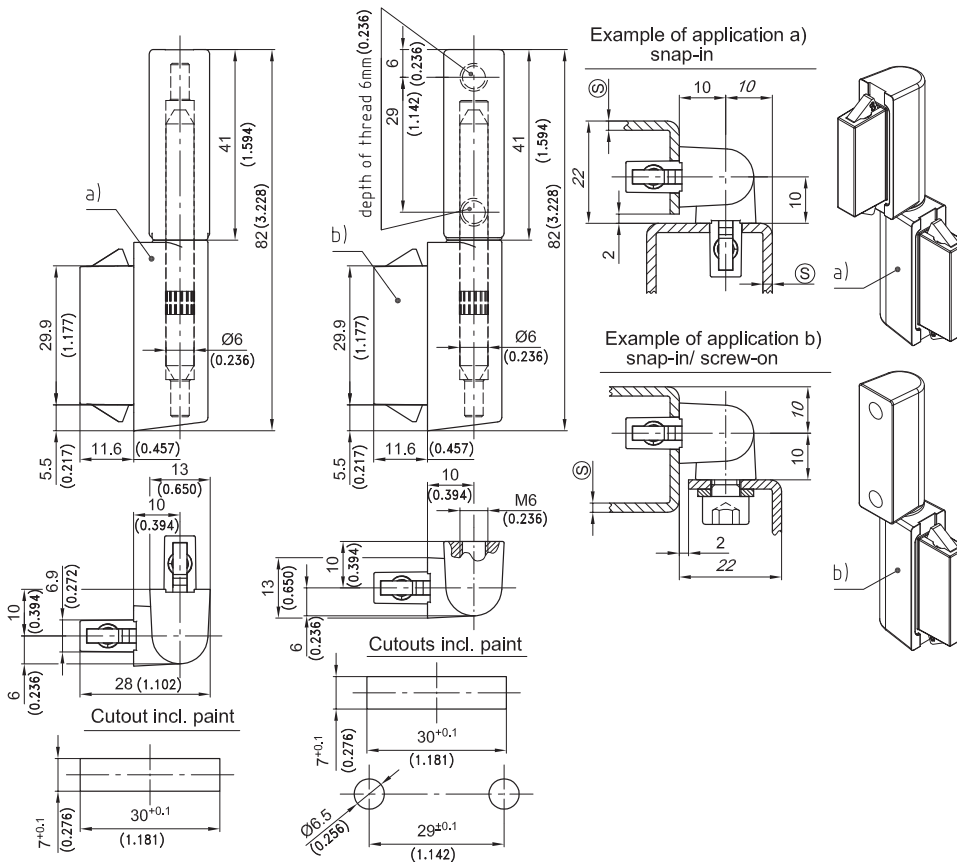


Product Notes:

- Can be used for corner applications
- 180° opening angle
- Lift-off
- RH and LH application
- Installed by a simple push into the cutout
- Version with one leaf fastens to panel with screws available
- Water and dust tight according to IP65, DIN EN 60529 with O-rings (not included)
- Zinc die - see Product System - 4-285
- Tool-less installation zinc die - see Product System - 4-285SL

Material:

- **Corner hinge:** Stainless Steel AISI 316
- **Pin:** Stainless Steel AISI 304
- **Wings:** Stainless Steel
- **O-ring:** NBR/ Black
- **Other versions SNAP/screw-on on request.**



Corner hinge	Clamping Range [Ⓢ]	Part No.	See Page
a) Tool-less assembly	0.8 - 1.5	417-9015.82-00012	
	1.3 - 2.0	417-9015.82-00016	
	1.8 - 2.5	417-9015.82-00021	
	2.3 - 3.0	417-9015.82-00026	
b) Tool-less assembly/screw-on	0.8 - 1.5	417-9017.82-00012	
	1.3 - 2.0	417-9017.82-00016	
	1.8 - 2.5	417-9017.82-00021	
	2.3 - 3.0	417-9017.82-00026	
Other [Ⓢ] dimension on request			
Screws M6 not included.			
Hinge screw-on version in zinc die			04.22
Cover for cutout 30x7mm		292-0401.00-03007	10.14
Reinforcement plate for cutout 30x8 and 30x10mm		292-0702.15-01030	10.16
Tool for uninstallation		292-0306.80-02530	10.17