

7-120 Hinge Pr04 180°

Surface mounted door, Stainless Steel, Heavy duty, Door bending 20mm

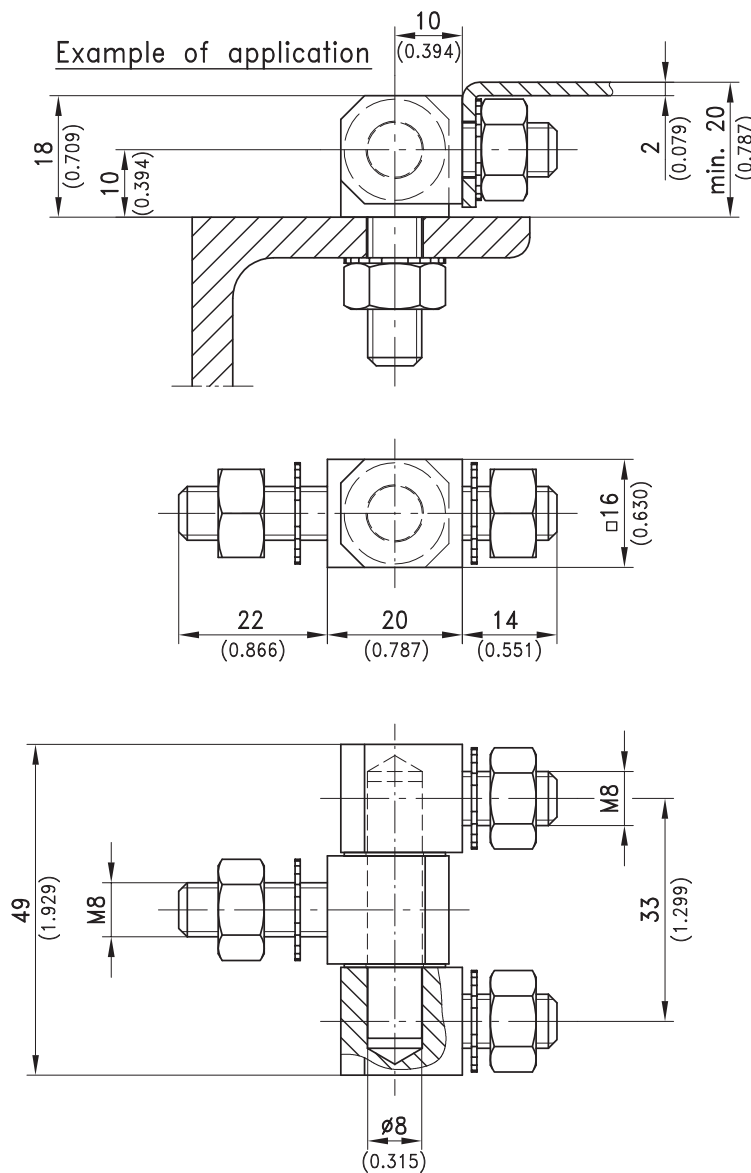
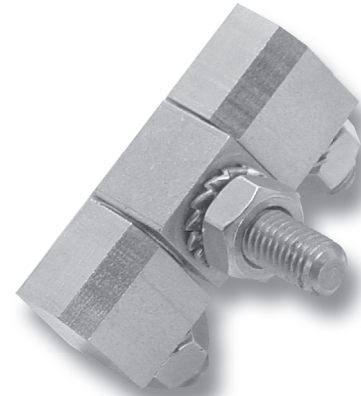


Product Notes:

- Fasten to panel with screws
- Heavy duty
- Zinc die- see Product System 4-200

Material:

- **Hinge leaves, pin and washer:**
Stainless Steel AISI 303



Hinge

3 nuts and serrated washers are included.

Part No.
219-9105