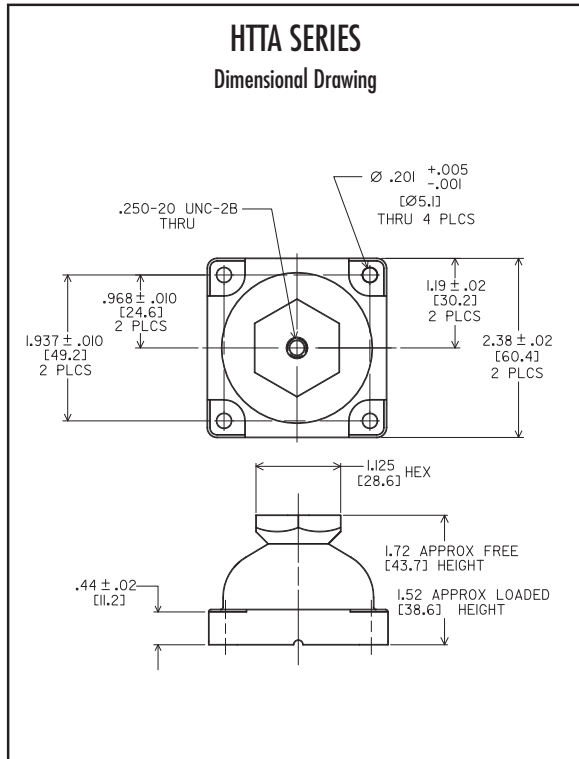


HTTA MOUNT SERIES:

Dimensions & Performance Characteristics



HTTA SERIES OPERATING RANGE DATA

Part #	Axial Load Range (lbs.)	Static Deflection Range	Natural Frequency Range (Hz.)
HTTA-1	5-8	.028"-.055"	13-10
HTTA-2	7-13	.021"-.061"	13-10
HTTA-3	13-20	.028"-.062"	13-10

