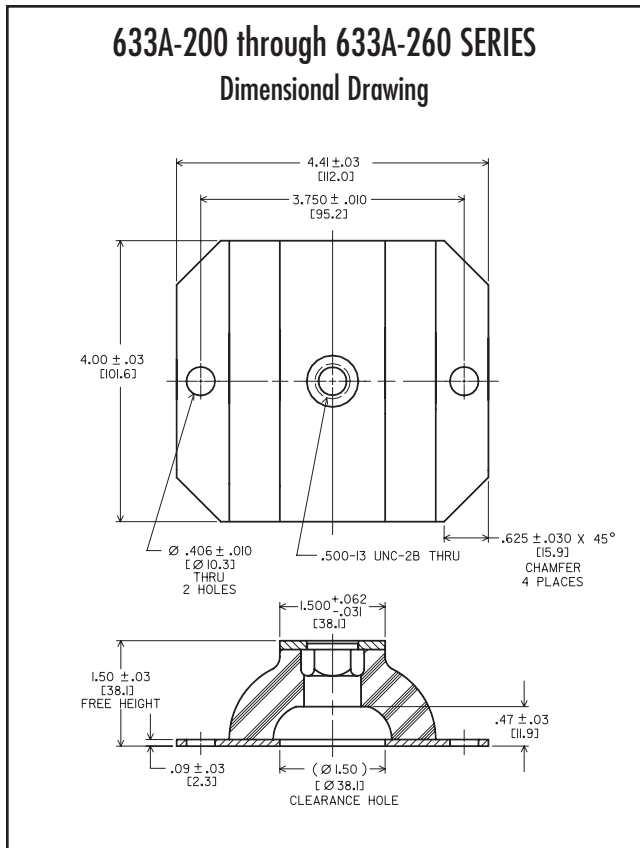


633A SERIES: 633A-260

Dimensions & Performance Characteristics



633A SERIES LOAD RANGES	
Part #	Maximum Static Load/Isolator (lbs.)
633A-200	200
633A-260	260

NOTE: For stainless steel applications please add "SS" to part number. Example:
For Stainless Steel 633A-200 order as part number 633A-SS200

