

TTA MOUNT SERIES

Features

- Available in Silicone or Neoprene
- Axial to radial stiffness of 1:1
- Mid frequency isolation
- Aluminum construction

Benefits

- Attenuates a 15g, 11 millisecond half-sine shock to 6g's
- Survives a 30g, 11 millisecond half-sine crash safety shock
- Lightweight & durable

Load Range

- 3 load ratings to 15 lbs. per mount

Mid-frequency, high deflection mounts for protection from severe vibration and shock.



The TTA mount is a mid frequency isolator which combines a low profile and large deflection capability in order to provide both shock and vibration protection. The TTA is ideal for applications where high amplitude vibration inputs are expected or where large shock deflections are needed.

Applications

- Ruggedized disk drives
- Electronics for rotary wing and propeller driven aircraft
- Mobile ground equipment
- Other applications where high amplitude, low frequency vibration is present

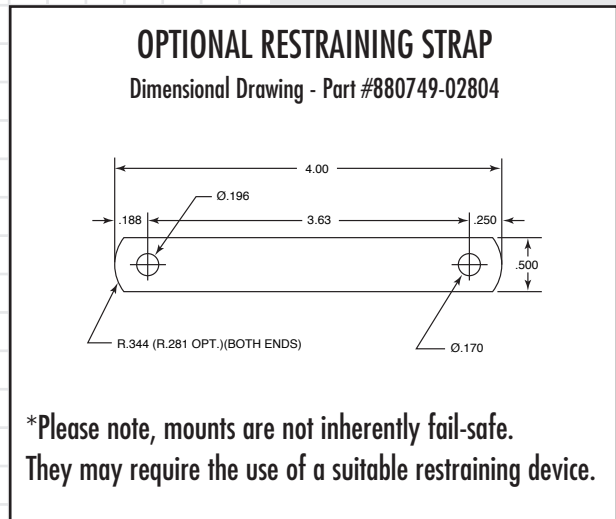
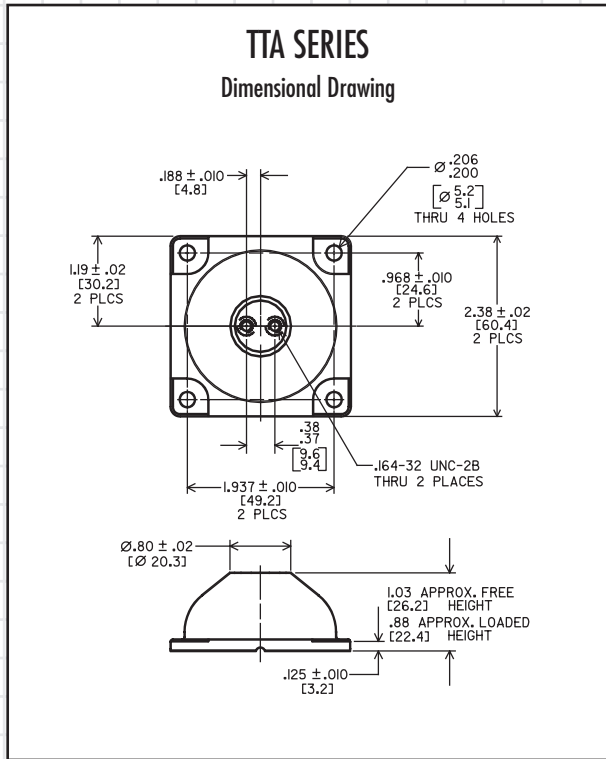
NATURAL FREQUENCY	12-20 Hertz
TRANSMISSIBILITY AT RESONANCE	4.0 Max. (Hi-Damp Silicone) 10.0 Max. (Neoprene)
RESILIENT ELEMENT	Hi-Damp Silicone or Neoprene
STANDARD MATERIALS	Aluminum (Grounding Strap Beryllium Copper)
WEIGHT	2.0 oz.

Environmental Data

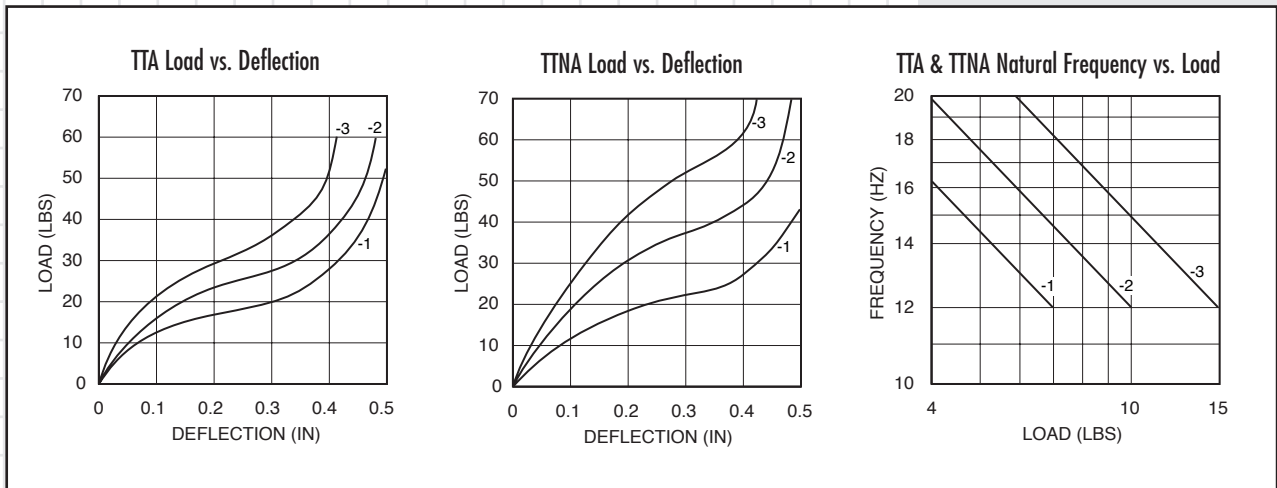
- Hi-Damp Silicone operating temperature range is -67°F to +300°F (-55°C to +150°C) and is resistant to fungus and ozone.
- Neoprene operating temperature range is -20°F to +180°F (-30°C to +82°C) and is resistant to oil and ozone.

TTA Mount Series

Dimensions & Performance Characteristics



TTA SERIES ORDERING INFORMATION		
PART #		LOAD RANGE (lbs.)
Neoprene	Silicone	
TTN-A-1	TT-A-1	5-7
TTN-A-2	TT-A-2	7-10
TTN-A-3	TT-A-3	10-15



For more information contact:

BLACK DIAMOND
Products

5058 Cedar Ridges Lane RR#1

Inverary, ON K0H-1X0

P: 613-544-2002

F: 613-544-2003

www.bdproduct.ca