

# BARRY CONTROLS MULTIAXIS MOUNTS

## Features

- All attitude
- Low-cost
- Axial to radial stiffness of 1:1
- Compact, low-profile design
- Available in square or diamond shape

## Benefits

- Provides low-frequency vibration isolation in all directions
- Compact size minimizes required mounting space
- Designed for a wide range of applications
- Easy to install

## Load Range

- Load ratings from 1 to 16 lbs. per isolator at 3/16" deflection

Low-profile, economical mounts provide low-frequency vibration isolation in all directions



Barry Controls Multiaxis Mounts are designed for low-frequency vibration isolation. These all-attitude isolators provide effective vibration protection in all directions and are available in either square or diamond configurations. Snubbing washers provide an interlocking system of metal fasteners which act to prevent damage from overload or excessive shock impact.

## Applications

- Oxygen Concentrators
- Small Pumps
- Electronic Equipment
- Medical Equipment
- Instruments
- Compressors

NATURAL FREQUENCY	7 Hertz Under Max. Load
TRANSMISSIBILITY AT RESONANCE	10
RESILIENT ELEMENT	Neoprene
STANDARD MATERIALS	Cold-rolled steel
WEIGHT	1 oz. (27481-S or 27481-D)

## Environmental Data

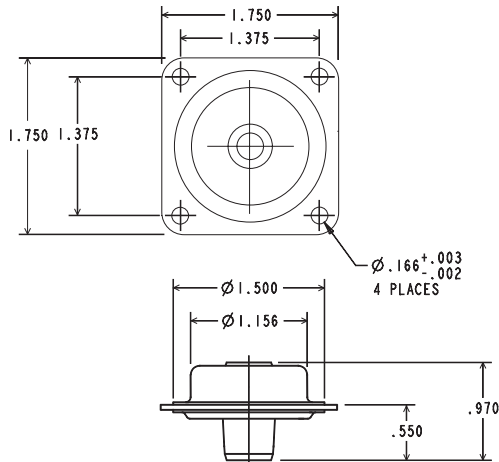
- Standard neoprene elastomer has an operating temperature range of -20°F to +180°F (-30°C to +180°C) and is resistant to oils, most solvents and ozone.

# Multiaxis Mount Series

## Dimensions & Performance Characteristics

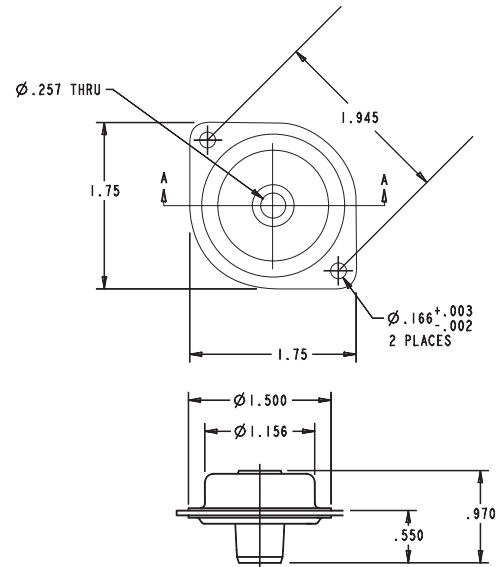
### SERIES 27481-XS SERIES

#### Dimensional Drawing



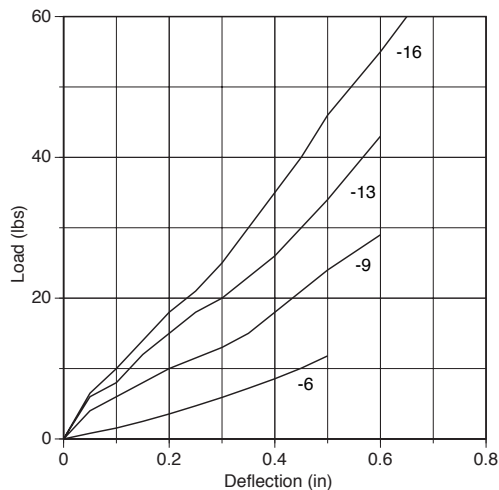
### SERIES 27481-XD SERIES

#### Dimensional Drawing



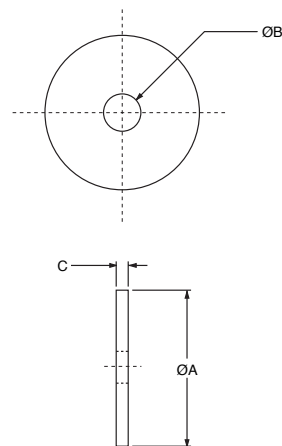
### MULTIAXIS MOUNT SERIES

#### Load vs Deflection



### MULTIAXIS MOUNT SERIES

#### Snubbing Washer



The use of snubbing washers is recommended to ensure proper static and dynamic loading of the isolator and retention of suspended equipment under severe shock environments.

Snubbing washers are ordered by separate part numbers as shown in the table below. The standard material is low-carbon steel and the standard finish is zinc plate. Other materials and finishes are available upon request.

Please consult with Barry Controls Applications Engineering at 1-800-Barry-MA for more information on the use of snubbing washers.

Part #	"A" Dia.	"B" Dia.	"C"
9810321	1.5"	.27"	.062"

For more information contact:

**BLACK DIAMOND**  
Products

5058 Cedar Ridges Lane RR#1  
Inverary, ON K0H-1X0

P: 613-544-2004

F: 613-544-2003

www.bdproduct.ca