

# MET-L-FLEX BUSHINGS

## Features

- Wide temperature range
- Metal mesh construction
- Axial to radial stiffness of 8:1
- Non-linear spring rate

## Benefits

- Isolators are not effected by oil, dust, water, ozone or atmospheric pressure
- Excellent vibration isolation
- Rapid elimination of shock without damaging rebound
- No distortion set under sustained loads

All metal bushings provide excellent vibration and shock protection under adverse environmental conditions.



Barry MET-L-FLEX Bushings are used wherever environmental conditions could damage or destroy conventional elastomeric bushings. They are used in the assembly and interconnection of mounting and structural elements.

## Applications

- Shipboard, marine and vehicle applications
- Fans & blowers
- Aerospace & military applications
- Motor/generator sets

NATURAL FREQUENCY	230 Hertz Vertical
TRANSMISSIBILITY AT RESONANCE	5.5
RESILIENT ELEMENT	Metal mesh
WEIGHT	See Table

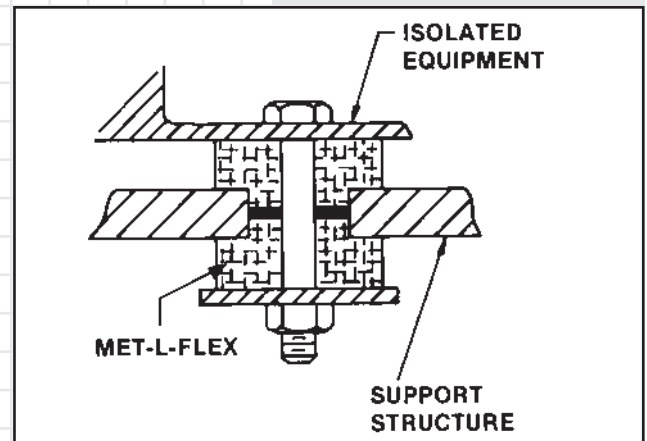
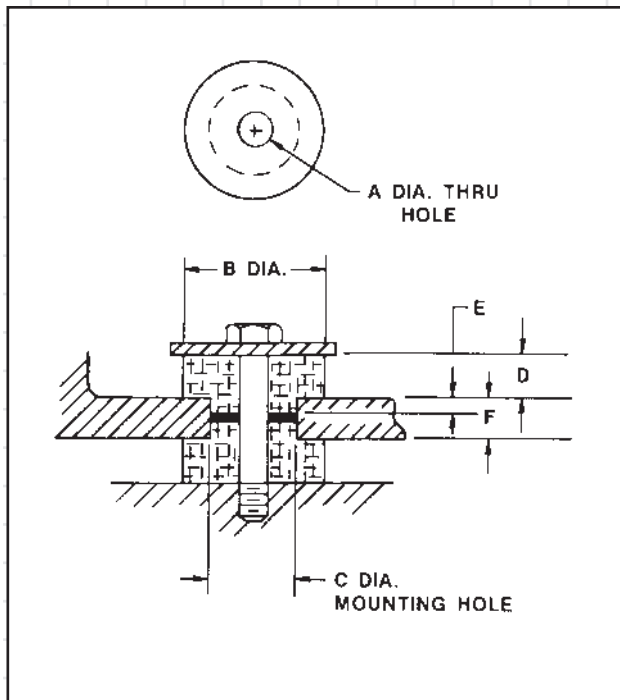
## Environmental Data

- Operating temperature ranges of -130°F to +500°F (-90°C to +260°C).
- Applicable to military standard.
- Resistant to dust, oils, oil-based solvents, extreme temperatures, salt water and sand.

# MET-L-FLEX Bushing Series

## Dimensions & Performance Characteristics

MET-L-FLEX BUSHINGS								
Part #	A	B	C	D	E	F	WEIGHT	RECOMMENDED LOAD*
MG30425-1	.14	11/32	1/4	7/64	1/16	1/8	.03	10 lbs.
MG30428-1	.16	25/64	9/32	9/64	1/16	1/8	.05	12 lbs.
MG30431-1	.19	5/16	5/16	9/64	1/16	1/8	.06	16 lbs.
MG30441-1	.25	9/16	13/32	11/64	5/64	5/32	.11	27 lbs.
MG30450-1	.31	11/16	1/2	7/32	3/32	3/16	.21	42 lbs.
MG30462-1	.38	7/8	5/8	17/64	1/8	1/4	.42	64 lbs.



For more information contact:

**BLACK DIAMOND**  
Products

5058 Cedar Ridges Lane RR#1

Inverary, ON K0H-1X0

P: 613-544-2004

F: 613-544-2003

www.bdproduct.ca