

LMS MOUNT SERIES

Features

- Neoprene elastomer bonded to steel construction
- Corrosion resistant exposed metal parts
- Proven durability
- ANSI and metric steel threads

Benefits

- Non skid elastomer
- Protects floor or surface finish
- Extends machinery life
- 1/2" of elastomer for controlled deflection and attenuation

Attenuated levelers designed for leveling and aligning sensitive electronic manufacturing equipment



LMS attenuated levelers are designed for leveling, aligning and isolating sensitive electronic manufacturing equipment. LMS Series levelers feature over .5" of neoprene elastomer bonded to the bottom of the leveler to provide shock-attenuated, non-skid support.

Applications

- Semiconductor equipment
- Electronic manufacturing equipment
- Industrial machinery

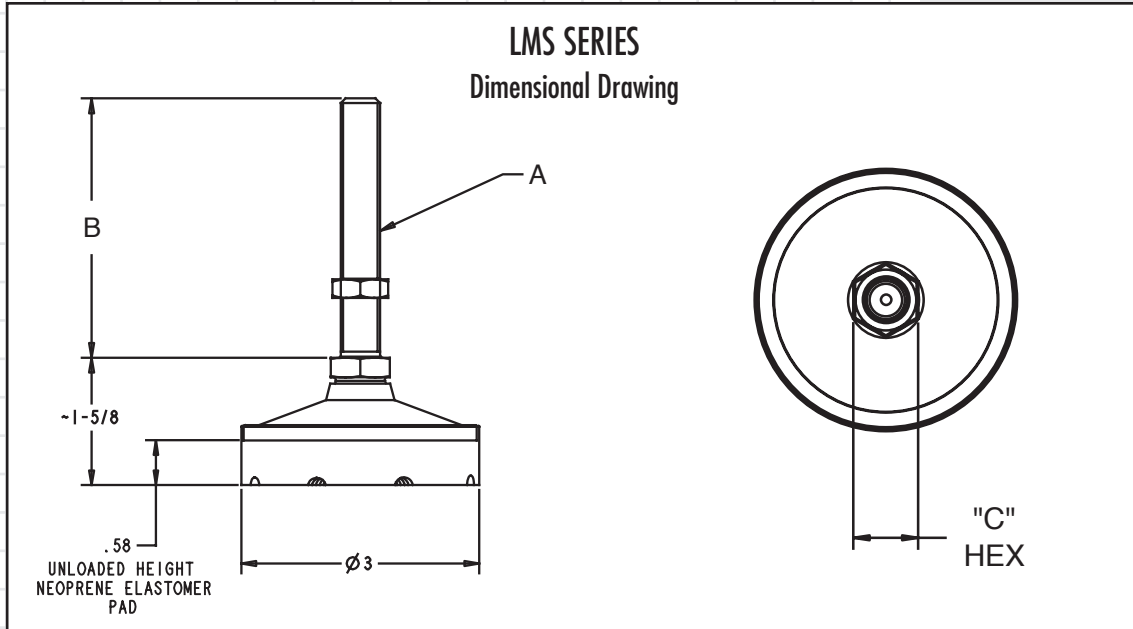
NATURAL FREQUENCY	10-20 Hertz
TRANSMISSIBILITY AT RESONANCE	8:1
RESILIENT ELEMENT	Neoprene
STANDARD MATERIALS	Black Corrosion Resistant Steel
ELASTOMER COLOR	Black

Environmental Data

- Neoprene elastomer has an operating temperature range of -20°F to +180°F (-30°C to +180°C) and is resistant to oils, most solvents and ozone.

LMS Mount Series

Dimensions & Performance Characteristics



LMS MOUNT SERIES LOAD RATING & DIMENSIONAL DATA					
Part #	Load Range Rating (lbs.)	Thread Units	"A"	"B"	"C"
LMS-12042	100-400	INCH	.500-13 UNC 2B	2"	.750"
LMS-12044	100-400			4"	
LMS-12082	200-800			2"	
LMS-12084	200-800			4"	
LMS-12122	400-1200			2"	
LMS-12124	400-1200			4"	
LMS-MI12042	100-400	METRIC	M12 x 1.75	51 mm	19 mm
LMS-MI12043	100-400			84 mm	
LMS-MI12082	200-800			51 mm	
LMS-MI12083	200-800			84 mm	
LMS-MI12122	400-1200			51 mm	
LMS-MI12123	400-1200			84 mm	

For more information contact:

BLACK DIAMOND
Products

5058 Cedar Ridges Lane RR#1

Inverary, ON K0H-1X0

P: 613-544-2004

F: 613-544-2003

www.bdproduct.ca