

# INDUSTRIAL MACHINERY MOUNT SERIES

## Features

- Ideal for heavy industrial machinery
- For all types of industrial machinery
- Cold-rolled steel construction
- Provides efficient isolation for speeds as low as 750 rpm.
- Compressive to shear stiffness of 5:1

## Benefits

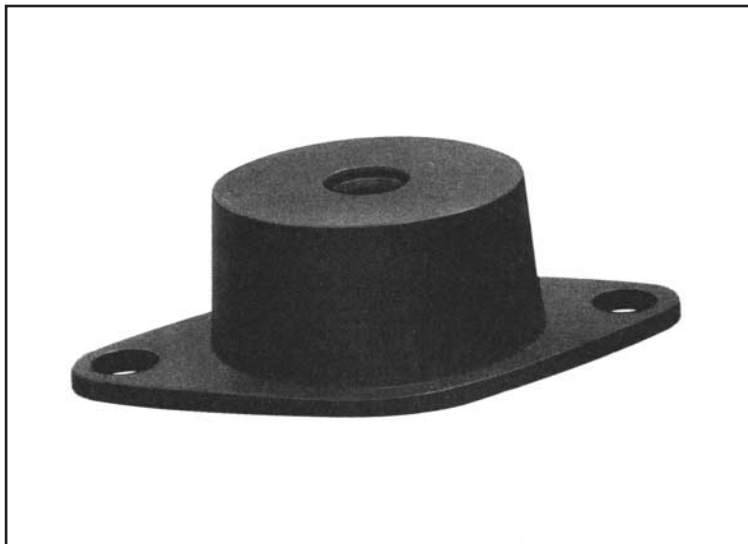
- Protects industrial equipment from damage caused by extended shock, noise and vibration exposure
- Extends machinery life
- Wide load range available
- Low maintenance
- Resistant to oils, most solvents and ozone

## Load Range

- 670 Series = 3 ratings to 1,500 lbs. per mount
- 297 Series = 4 ratings to 4,400 lbs. per mount



Low-frequency elastomeric compression mounts for industrial machinery.



Barry Industrial Machinery Mounts are for use under heavy industrial machinery for shock, vibration and/or structure borne noise control. Barry Machinery Mounts provide efficient isolation for machine speeds as low as 750 rpm.

## Applications

- Heavy industrial equipment, machinery and tools
- Motors, pumps and generators

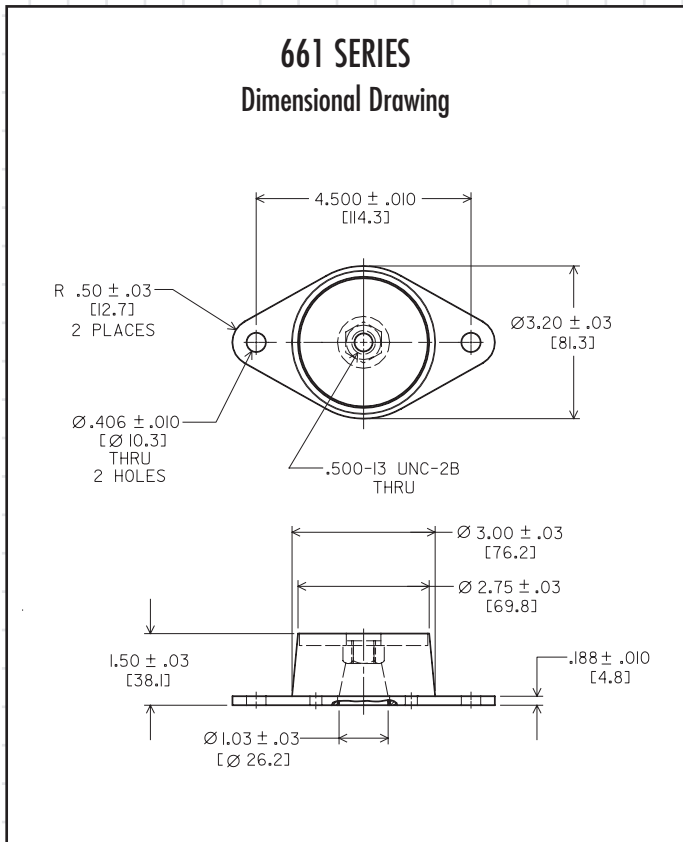
|                               |   |
|-------------------------------|---|
| NATURAL FREQUENCY             | 8-18 Hertz  |
| TRANSMISSIBILITY AT RESONANCE | 8:1   |
| RESILIENT ELEMENT             | Neoprene  |
| STANDARD MATERIALS            | Cold rolled steel   |
| WEIGHT                        | Series 661 = 2 lbs.<br>Series 670 = 2 lbs.<br>Series 297 = 3 lbs. |

## Environmental Data

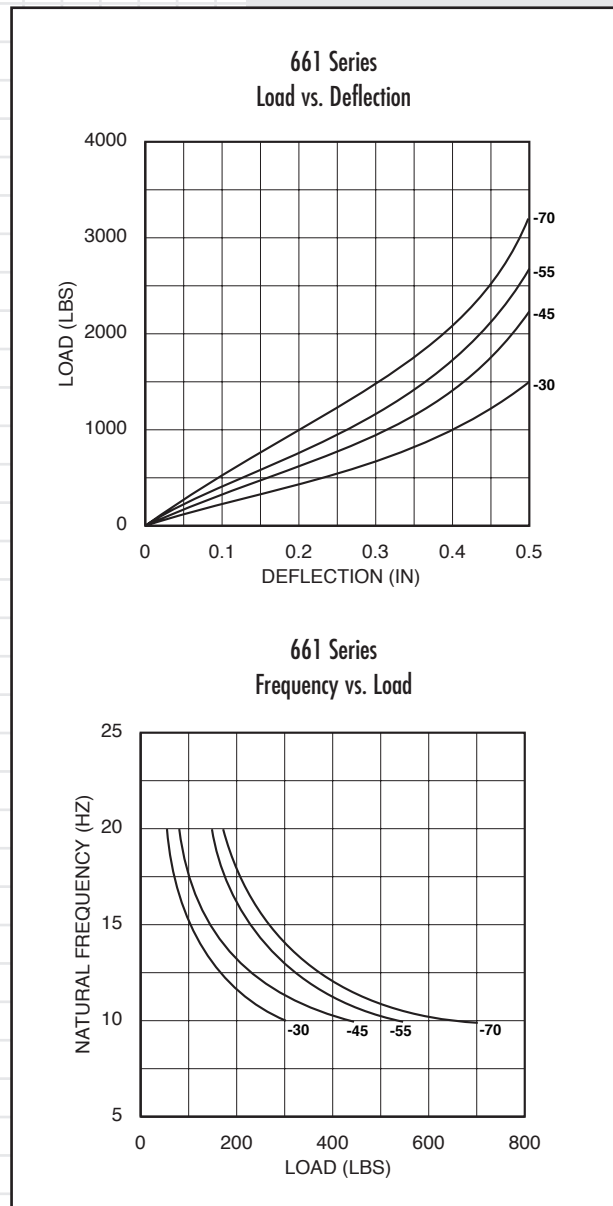
- Neoprene elastomer has an operating temperature range of -40°F to +200°F (-40°C to +93°C) and is resistant to oils, most solvents and ozone.

# Machinery Mount Series (661 Series)

## Dimensions & Performance Characteristics



| 661 SERIES LOAD RANGE DATA |                                     |
|----------------------------|-------------------------------------|
| Part #                     | Maximum Static Load/Isolator (lbs.) |
| 661-30                     | 300                                 |
| 661-45                     | 450                                 |
| 661-55                     | 550                                 |
| 661-70                     | 700                                 |



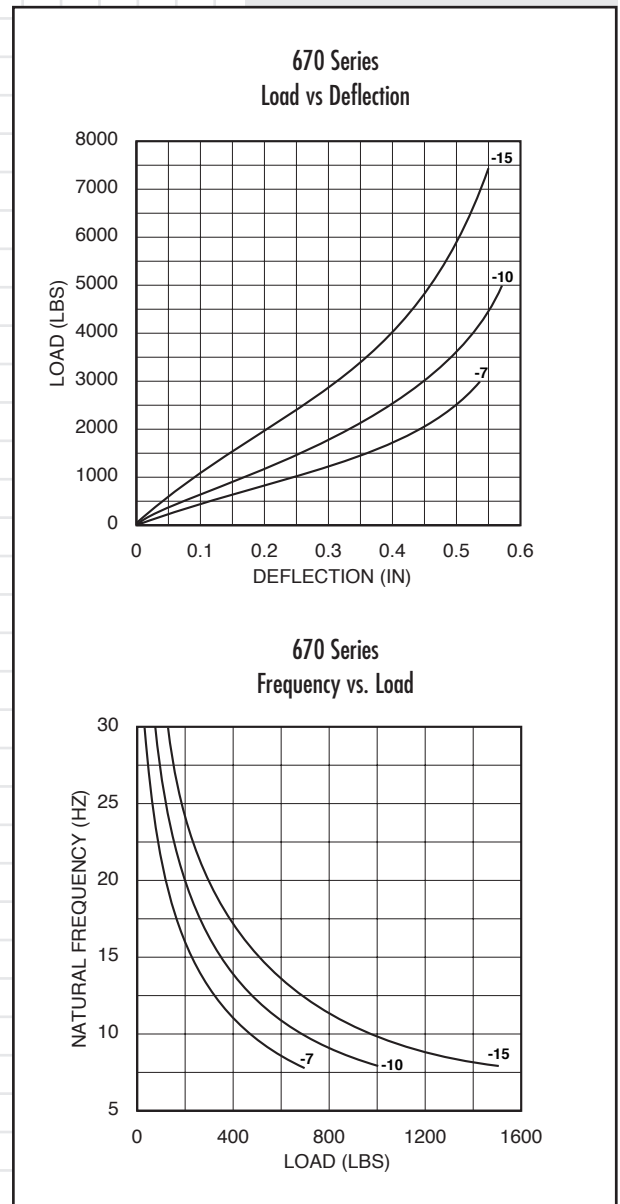
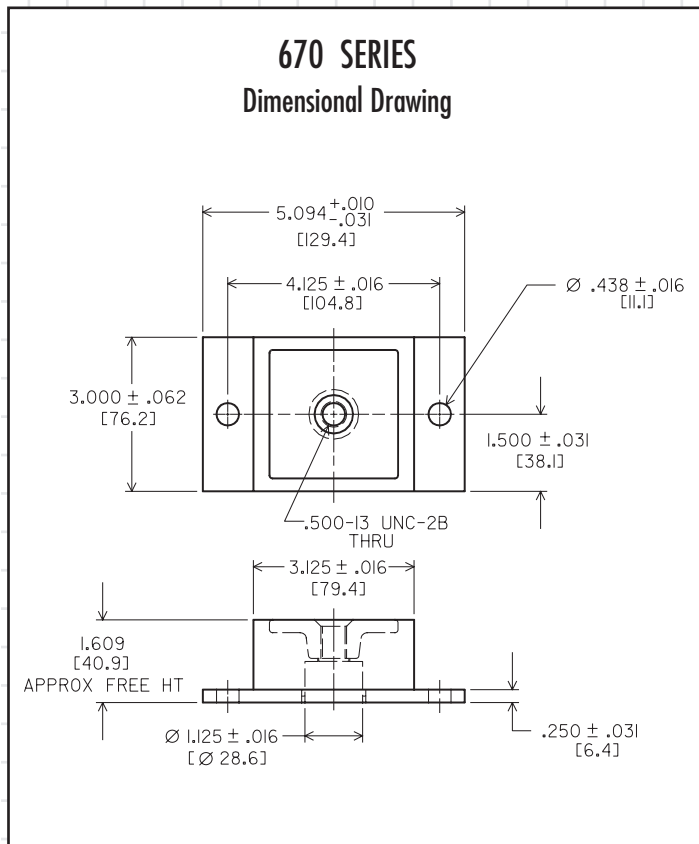
For more information contact:

**BLACK DIAMOND**  
Products

5058 Cedar Ridges Lane RR#1  
Inverary, ON K0H-1X0  
P: 613-544-2002  
F: 613-544-2003  
www.bdproduct.ca

# Machinery Mount Series (670 Series)

## Dimensions & Performance Characteristics



| 670 SERIES LOAD RANGE DATA |                                     |
|----------------------------|-------------------------------------|
| Part #                     | Maximum Static Load/Isolator (lbs.) |
| 670-7                      | 700                                 |
| 670-10                     | 1,000                               |
| 670-15                     | 1,500                               |

For more information contact:

**BLACK DIAMOND**  
Products

5058 Cedar Ridges Lane RR#1

Inverary, ON K0H-1X0

P: 613-544-2002

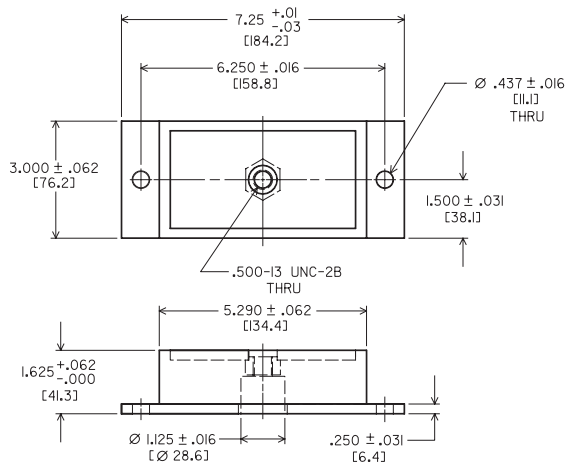
F: 613-544-2003

www.bdproduct.ca

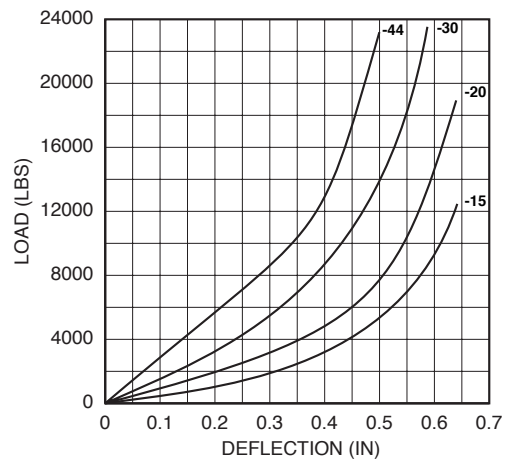
# Machinery Mount Series (297 Series)

## Dimensions & Performance Characteristics

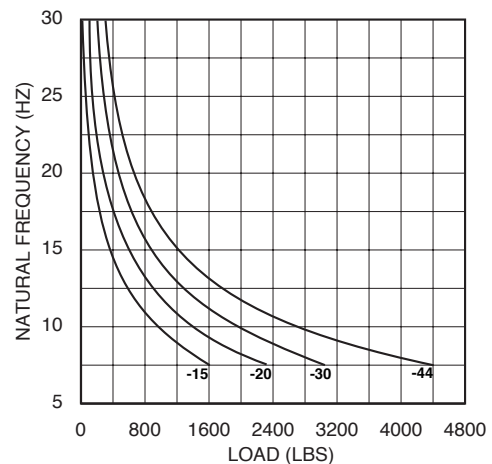
### 297 SERIES Dimensional Drawing



### 297 Series Load vs Deflection



### 297 Series Frequency vs. Load



### 297 SERIES LOAD RANGE DATA

| Part # | Maximum Static Load/Isolator (lbs.) |
|--------|-------------------------------------|
| 297-15 | 1,500                               |
| 297-20 | 2,000                               |
| 297-30 | 3,000                               |
| 297-44 | 4,400                               |

For more information contact:

**BLACK DIAMOND**  
Products

5058 Cedar Ridges Lane RR#1

Inverary, ON K0H-1X0

P: 613-544-2002

F: 613-544-2003

www.bdproduct.ca