

HTTA MOUNT SERIES

Features

- Low natural frequency (10-13 Hertz)
- Axial to radial stiffness is 1:1.4
- Aluminum construction

Benefits

- Will not degrade in performance when subjected to a 15g, 11 millisecond half sine shock input
- Will not fail under a 30g, 11 millisecond half sine shock input
- Lightweight
- Fungus and ozone resistant

Load Range

- 3 load ratings from 5 - 20 lbs. per mount

Low-frequency, highly damped mounts for high level shock and vibration isolation.



Barry HTTA-Series Mounts are low frequency isolators with a large deflection capacity to provide both vibration and shock protection. They are designed to meet the requirements of MIL-STD-810C for mounting electronic equipment in helicopter environments.

Applications

- Mounting equipment in helicopter environments (meets MIL-STD-810C requirements)
- Other applications where a large deflection capacity is required

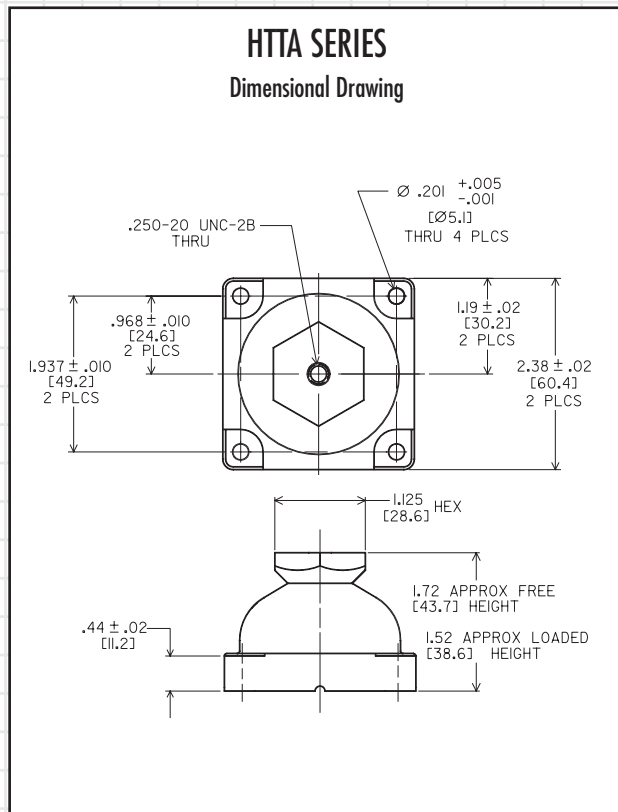
NATURAL FREQUENCY	10-13 Hertz
TRANSMISSIBILITY AT RESONANCE	4.0 Max.
RESILIENT ELEMENT	Hi-Damp Silicone
STANDARD MATERIALS	Aluminum (Grounding Strap Beryllium Copper)
WEIGHT	4 oz.

Environmental Data

- Hi-Damp Silicone elastomer has an operating temperature range of -67°F to +300°F (-55°C to +150°C) and is fungus and ozone resistant.

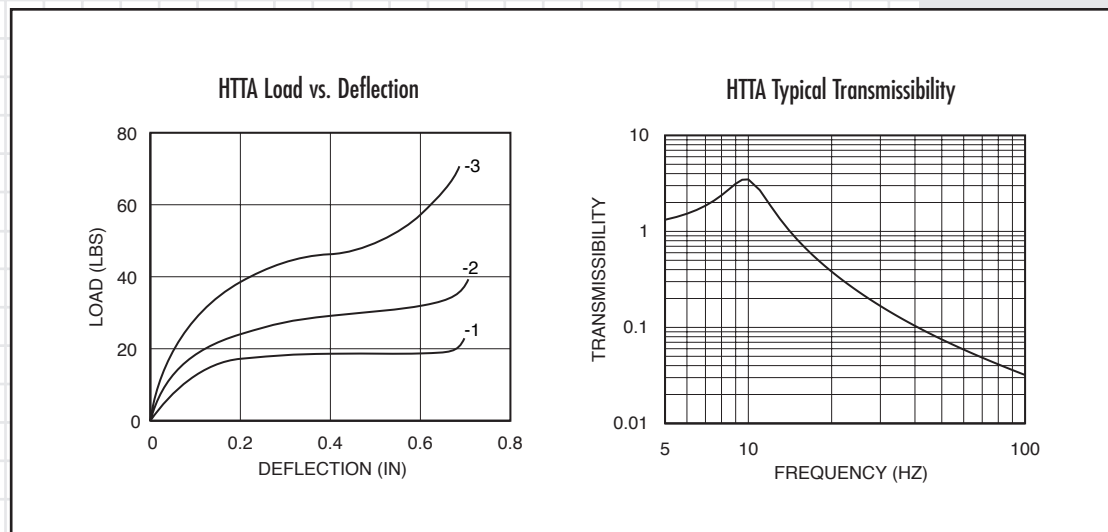
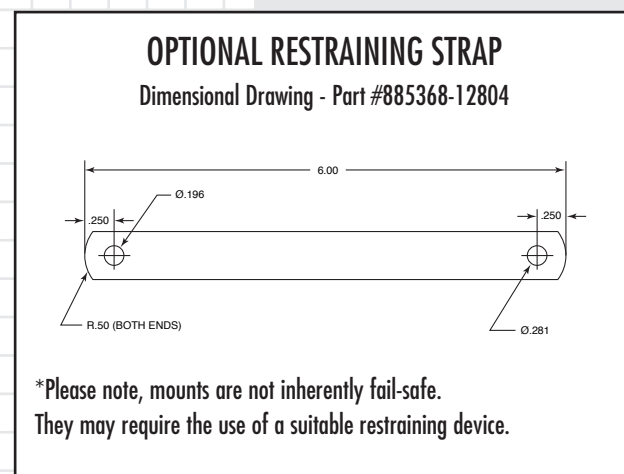
HTTA Mount Series

Dimensions & Performance Characteristics



HTTA SERIES OPERATING RANGE DATA

Part #	Axial Load Range (lbs.)	Static Deflection Range (lbs.)	Resonant Natural Frequency Range (Hz.)
HTTA-1	5-8	.028"-.055"	13-10
HTTA-2	7-13	.021"-.061"	13-10
HTTA-3	13-20	.028"-.062"	13-10



For more information contact:

BLACK DIAMOND
Products

5058 Cedar Ridges Lane RR#1
Inverary, ON K0H-1X0
P: 613-544-2002
F: 613-544-2003
www.bdproduct.ca