

6820 MOUNT SERIES

Features

- Compact, low-profile design
- Low cost isolator
- Wide load range for most applications

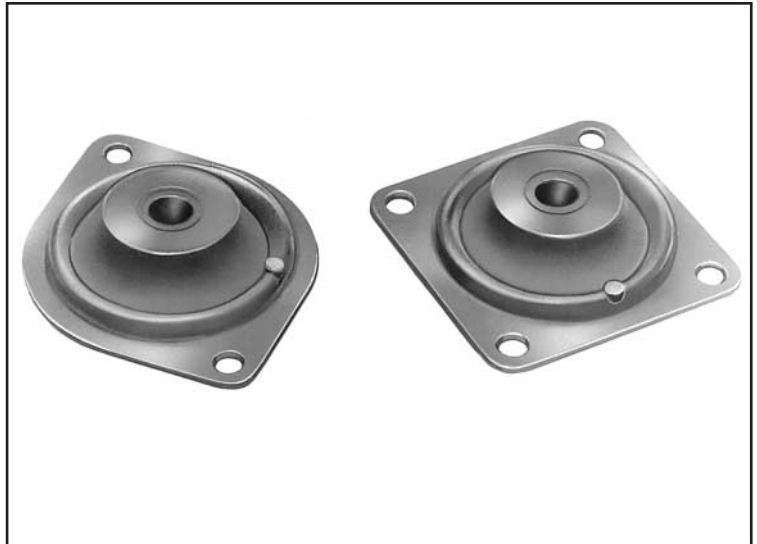
Benefits

- Compact size minimizes required mounting space
- Economical operation
- Design flexibility

Load Range

- 2 sizes to 80 lbs. per mount

Economical, low-frequency, low-profile mounts provide vibration and structure-borne noise control.



Barry 6820 Series Mounts are ideal for providing economical isolation from vibration and structure-borne noise for electronic equipment in cramped environments, such as instrument panels or for motors and generators.

Applications

- Electronic equipment where low-profile equipment installation is required
- Instrument panels
- Airborne electronics
- Motors & generators

| | |
|-------------------------------|-----------------------------------|
| NATURAL FREQUENCY | 10-30 Hertz |
| TRANSMISSIBILITY AT RESONANCE | 10.0 Max. |
| RESILIENT ELEMENT | Neoprene |
| STANDARD MATERIALS | Steel |
| WEIGHT | 6821 = 1.0 oz. 6822 = 2.25 oz. |

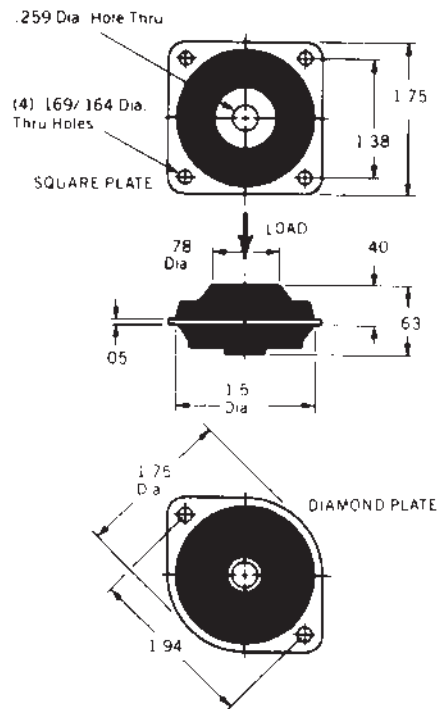
Environmental Data

- Hi-Damp Silicone is available as an elastomer option. Limits amplification at resonance to 4 or less. Operating temperature range is -67°F to +300°F (-55°C to +150°C).
- Neoprene version is standard and operational temperature range is -20°F to +180°F. Neoprene elastomer is resistant to oils and ozone (-55°C to +150°C).

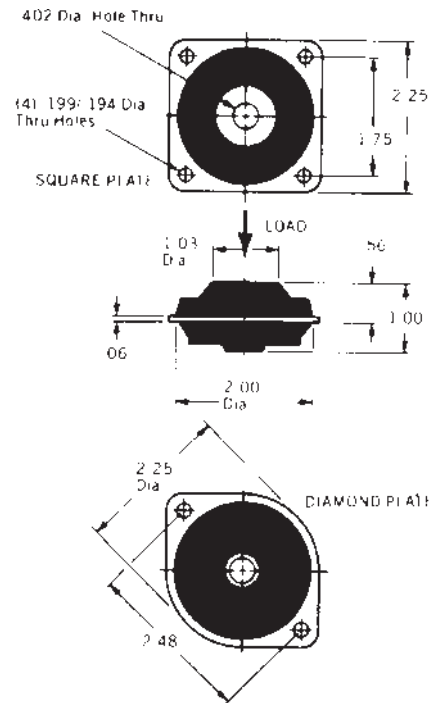
6820 Mount Series (6821/6822)

Dimensions & Load Ranges

6821 SERIES DIMENSIONAL DRAWING



6822 SERIES DIMENSIONAL DRAWING



LOAD RANGES - 6821 SERIES

| Code | Min. | Norm. | Max. |
|------|------|-------|-------|
| -1 | 1.40 | 2.00 | 2.80 |
| -2 | 2.50 | 4.00 | 5.50 |
| -3 | 5.50 | 10.00 | 14.00 |

LOAD RANGES - 6822 SERIES

| Code | Min. | Norm. | Max. |
|------|-------|-------|-------|
| -1 | 14.00 | 20.00 | 28.00 |
| -2 | 25.00 | 40.00 | 55.00 |
| -3 | 40.00 | 60.00 | 80.00 |

For more information contact:

BLACK DIAMOND
Products

5058 Cedar Ridges Lane RR#1

Inverary, ON K0H-1X0

P: 613-544-2002

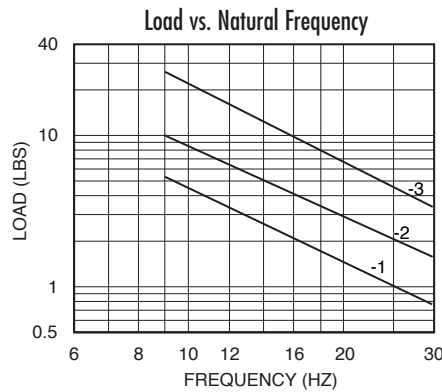
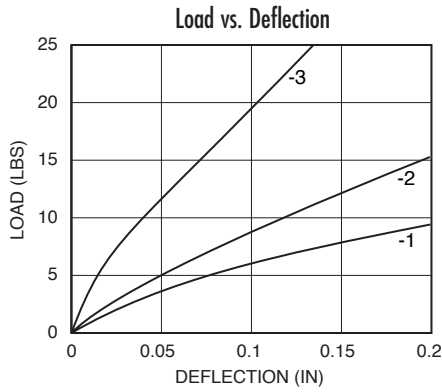
F: 613-544-2003

www.bdproduct.ca

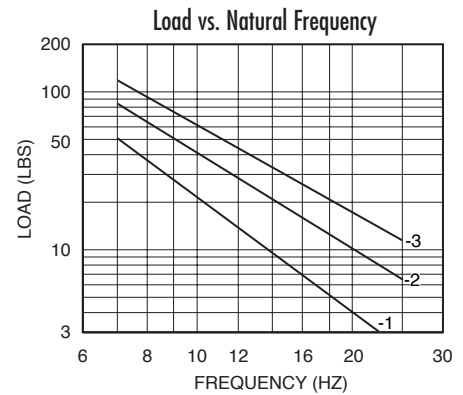
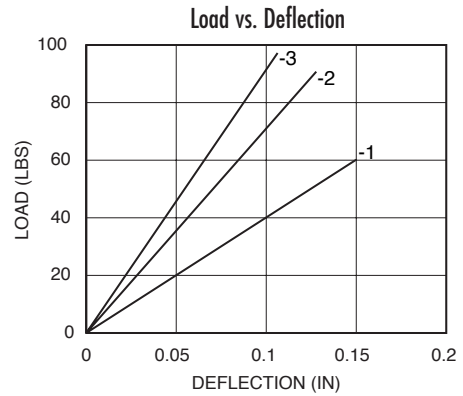
6820 Mount Series (6821/6822)

Performance Characteristics

6821 Series Performance Data



6822 Series Performance Data



HOW TO ORDER 6820 ISOLATORS

6822 - 1 - S - N

Basic Model # (6821/6822)

Code For Load Rating (1/2/3)

Configuration of Mounting
(S=Square/D=Diamond)

Elastomer (N=Neoprene, S=Hi-Damp Silicone)

For more information contact:

BLACK DIAMOND
Products

5058 Cedar Ridges Lane RR#1
Inverary, ON K0H-1X0

PP: 613-544-2002

F: 613-544-2003

www.bdproduct.ca