

# 6300/6550 MOUNT SERIES

## Features

- All attitude
- Low-cost
- Axial to radial stiffness of 1:1
- Compact, low-profile design

## Benefits

- Compact size minimizes required mounting space
- Mounting permitted at any angle
- Fail-safe design captivates equipment even if elastomer is destroyed

## Load Range

- 6300 = 4 load ratings to 11 lbs. per mount
- 6550 = 4 load ratings to 18 lbs. per mount

Small, low-profile, all-attitude elastomeric mounts for vibration and shock protection.



Barry 6300/6550 Series Mounts are designed for use either as an integral mount or isolation system for light to medium weight electronic equipment. Versions are available in Neoprene or Hi-Damp Silicone for MIL specifications.

## Applications

- Airborne electronics and racking
- Ruggedized disk drives
- Electronic chassis
- Electric motors

NATURAL FREQUENCY	15-40 Hertz (6300) 20-40 Hertz (6550)
TRANSMISSIBILITY AT RESONANCE	4.0 Max. (Hi-Damp Silicone) 10.0 Max. (Neoprene)
RESILIENT ELEMENT	Hi-Damp Silicone or Neoprene
STANDARD MATERIALS	Varies with model
WEIGHT	6300 = 1.0 oz. 6550 = 1.0 oz.

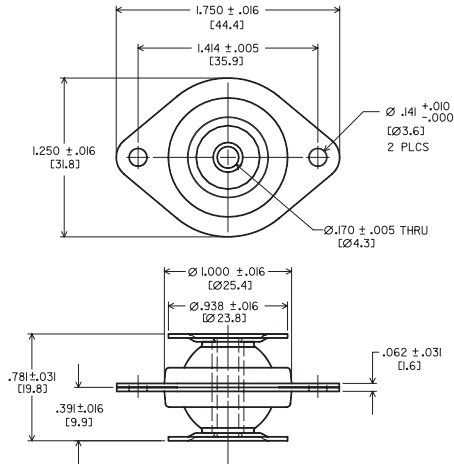
## Environmental Data

- Hi-Damp Silicone is ideal for applications requiring greater damping, extreme temperature service and resistance to fungus and ozone. Operating temperature range is -67°F to +300°F (-55°C to +150°C).
- Neoprene operating temperature range is -20°F to +180°F (-30°C + 83°C) and is resistant to oil and ozone.

# 6300 Mount Series

## Dimensions & Performance Characteristics

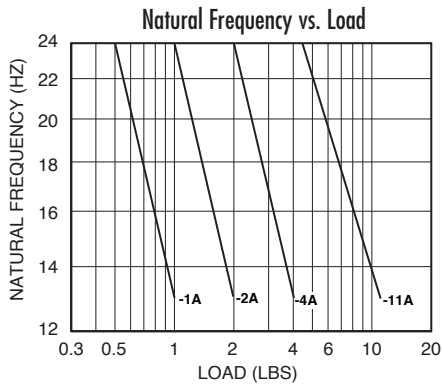
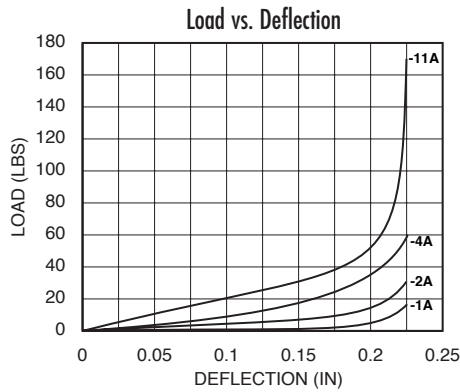
### SERIES 6300 DIMENSIONAL DRAWING



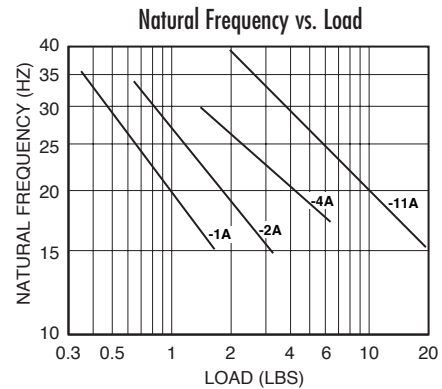
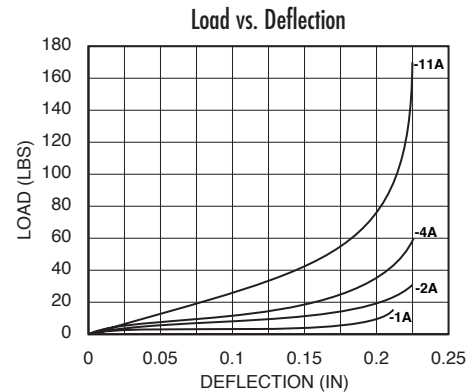
### LOAD RATINGS

Nat. Rubber	Hi-Damp	Neoprene	Max. Load/Mount (lbs.)
6300-1A	N6300-1A	6300-1NA	1
6300-2A	N6300-2A	6300-2NA	2
6300-4A	N6300-4A	6300-4NA	4
6300-11A	N6300-11A	6300-11NA	11

### 6300-A and 6300-NA Series Performance Data



### N6300 Series Performance Data



For more information contact:

**BLACK DIAMOND**  
Products

5058 Cedar Ridges Lane RR#1

Inverary, ON K0H-1X0

P: 613-544-2002

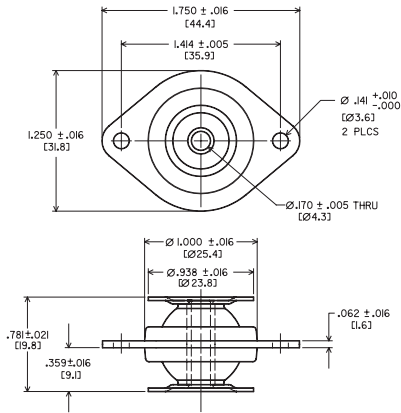
F: 613-544-2003

www.bdproduct.ca

# 6550 Mount Series

## Dimensions & Performance Characteristics

### SERIES 6550 DIMENSIONAL DRAWING

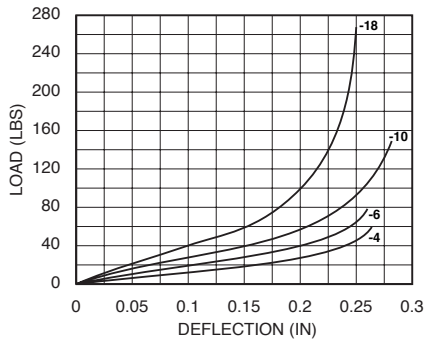


### 6550 SERIES LOAD RATINGS

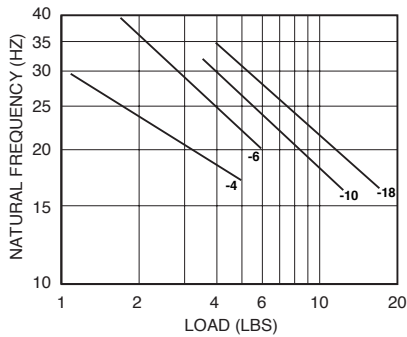
Nat. Rubber	Hi-Damp	Neoprene	Max. Load/Mount (lbs.)
6550-4	N6550-4	6550-4N	4
6550-6	N6550-6	6550-6N	6
6550-10	N6550-10	6550-10N	10
6550-18	N6550-18	6550-18N	18

### 6550 and 6550-N Series Performance Data

#### Load vs. Deflection

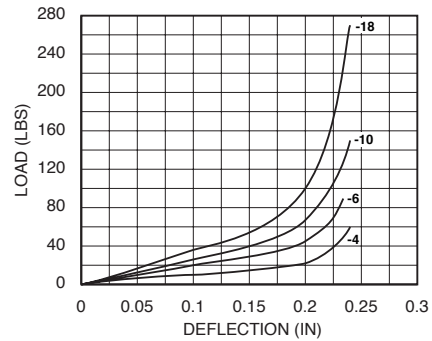


#### Natural Frequency vs. Load

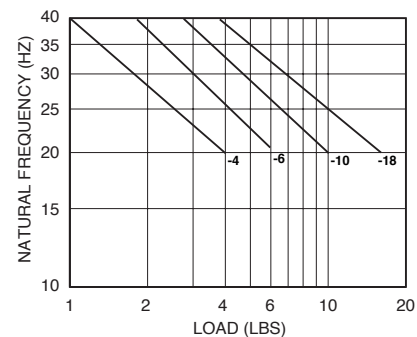


### N6550 Series Performance Data

#### Load vs. Deflection



#### Natural Frequency vs. Load



For more information contact:

**BLACK DIAMOND**  
Products

5058 Cedar Ridges Lane RR#1

Inverary, ON K0H-1X0

P: 613-544-2002

F: 613-544-2003

www.bdproduct.ca